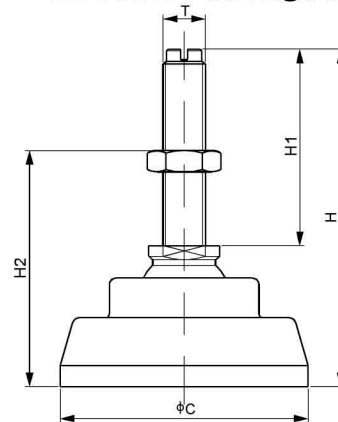


Active Mounting Foot, Alloy Steel



DIMENSIONS

RATED CAPACITY	C	H	H1	H2	T	ITEM CODE
lb/inches						
100...4,000; SE5,000	2.76	3.75	2.19	1.80...3.58	1/2-20 UNF-2B	AMF-F-1/2
5,000...10,000	3.15	4.07	2.19	2.24...3.90	3/4-16 UNF-2B	AMF-F-3/4
15,000; 20,000	3.94	5.65	2.83	3.21...5.45	1-14 UNS-2B	AMF-F-1
kg/mm						
100...2,000	70	95.3	55.5	45.8...91	M12X1.75	AMF-F-M12
2,500; 5,000	80	103.5	55.5	57...99	M18X1.50	AMF-F-M18
10,000	100	143.5	72.0	81.5...138.5	M24X2.00	AMF-F-M24